

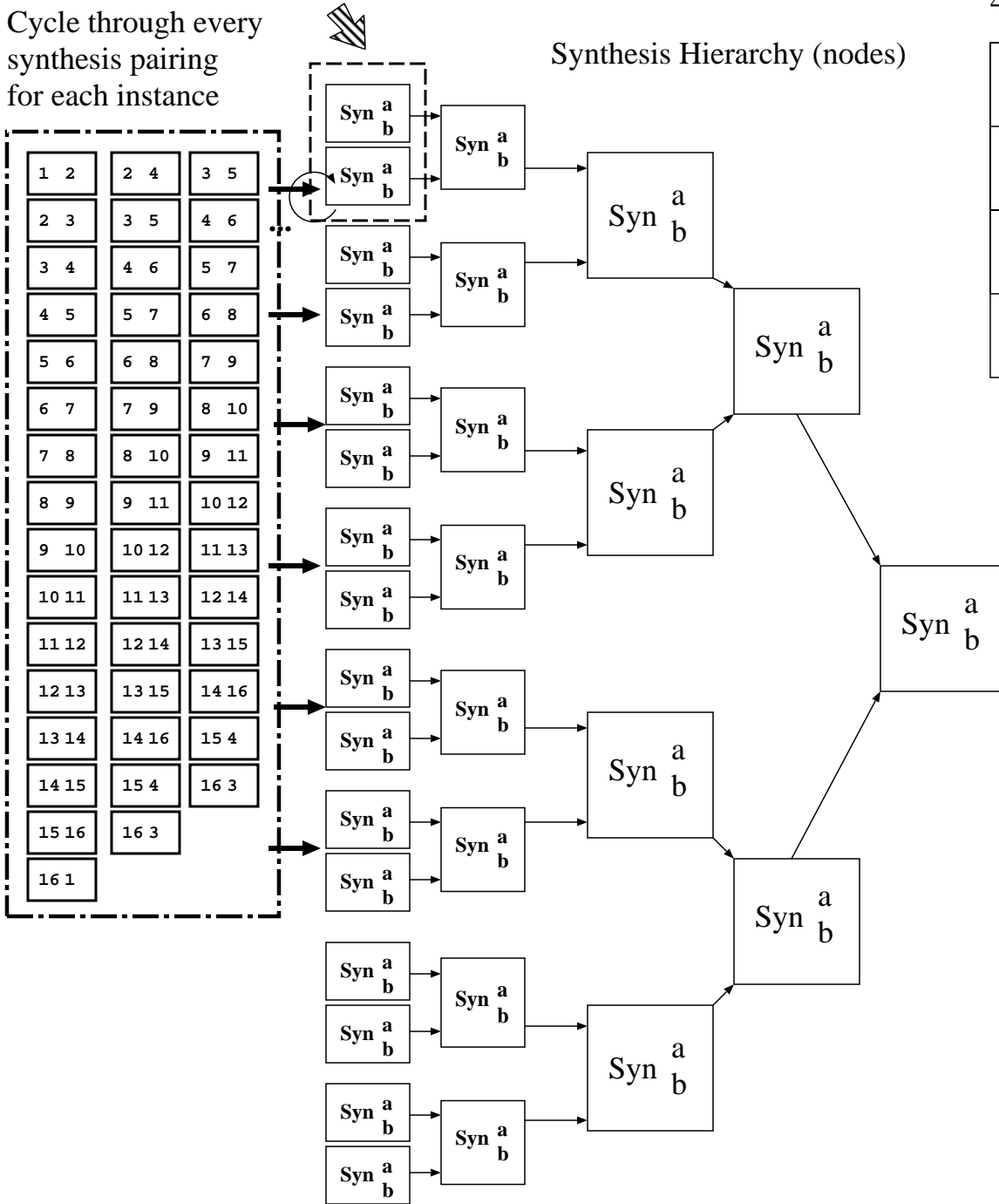
VM-Cell

Virtual Simulator for Cellular Interferometry: Cellular Synthesis Function

(c) Freeware S.A. Thigpen - <http://sthigpen.freeshell.org>

Synthesize each pair sequentially

Cycle through every synthesis pairing for each instance



4x4 Cells (16 Total Cells)

1	2	3	4
5	6	7	8
9	10	11	12
13	14	15	16

Screen Displays:

